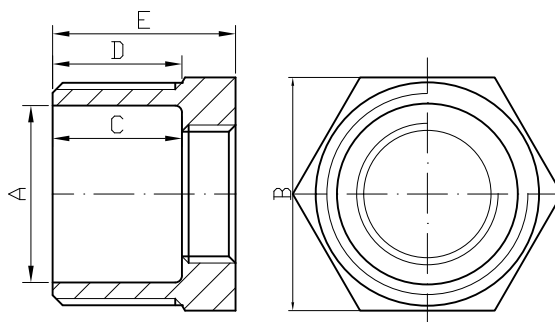


Fig. 241

**ACCESORIO INOXIDABLE ROSCADO - TUERCA REDUCIDA**  
**THREADED STAINLESS STEEL FITTING - REDUCING BUSH**


ISO 4144


**INFORMACIÓN TÉCNICA - TECHNICAL INFORMATION**

DN	COD.	DIMENSIONES - DIMENSIONS					Peso aprox. Weight aprox. (kg)
		A (mm)	B (mm)	C (mm)	D (mm)	E (mm)	
1/4" x 1/8"	I2416010	8,4	15,0	12,0	12,5	19,0	0,010
3/8" x 1/8"	I2416020	11,0	19,0	13,0	14,0	20,3	0,025
3/8" x 1/4"	I2416021	11,0	19,0	13,0	14,0	20,3	0,020
1/2" x 1/4"	I2416031	15,0	22,5	15,0	17,0	23,7	0,035
1/2" x 3/8"	I2416032	15,0	22,5	14,0	17,0	23,7	0,030
3/4" x 1/4"	I2416041	20,5	29,0	16,4	18,0	26,0	0,065
3/4" x 3/8"	I2416042	20,5	29,0	16,3	18,0	26,0	0,060
3/4" x 1/2"	I2416043	20,5	29,0	15,8	18,0	26,0	0,050
1" x 1/2"	I2416053	26,0	35,5	17,4	19,0	27,0	0,085
1" x 3/4"	I2416054	26,0	35,5	13,6	19,0	27,0	0,070
1 1/4" x 1/2"	I2416063	34,5	43,6	20,2	20,5	30,0	0,145
1 1/4" x 3/4"	I2416064	34,5	43,6	18,2	20,5	30,0	0,135
1 1/4" x 1"	I2416065	34,5	43,6	16,0	20,5	30,0	0,115
1 1/2" x 1/2"	I2416073	40,0	51,0	22,0	22,0	31,0	0,200
1 1/2" x 3/4"	I2416074	40,0	51,0	20,0	22,0	31,0	0,195
1 1/2" x 1"	I2416075	40,0	51,0	17,0	22,0	31,0	0,180
1 1/2" x 1 1/4"	I2416076	40,0	51,0	15,5	22,0	31,0	0,120
2" x 1/2"	I2416083	51,0	62,4	26,0	26,0	35,0	0,265
2" x 3/4"	I2416084	51,0	62,4	23,0	26,0	35,0	0,330
2" x 1"	I2416085	51,0	62,4	21,0	26,0	35,0	0,330
2" x 1 1/4"	I2416086	51,0	62,4	20,0	26,0	35,0	0,270
2" x 1 1/2"	I2416087	51,0	62,4	17,8	26,0	35,0	0,235
2 1/2" x 1"	I2416095	64,5	77,8	27,0	27,0	40,0	0,635
2 1/2" x 1 1/4"	I2416096	64,5	77,2	25,0	27,0	40,0	0,600
2 1/2" x 1 1/2"	I2416097	64,5	77,8	25,0	27,0	40,0	0,570
2 1/2" x 2"	I2416098	64,5	77,8	24,0	27,0	39,5	0,425
3" x 2"	I24160A8	77,2	91,2	27,3	33,0	44,0	0,800
3" x 2 1/2"	I24160A9	77,2	91,2	20,0	33,0	44,0	0,560
4" x 2"	I24160C8	101,3	116,6	27,0	36,0	48,0	0,650
4" x 2 1/2"	I24160C9	101,3	116,6	25,0	36,0	48,0	1,415
4" x 3"	I24160CA	101,3	116,6	23,3	36,0	48,0	1,205

Rev.2-06.20  
1/2



### CARACTERÍSTICAS BÁSICAS

- Fabricados en acero inoxidable austenítico de calidad AISI 316 con tratamiento térmico normalizado.
- Método de fabricación: Fusión.
- Dimensiones de acuerdo al estándar ISO 4144.
- Rosca de unión según UNE-EN 10226-1 / ISO 7-1 (tipo R-Rp).
- Rango de temperatura de trabajo: -20 a 220 °C.
- Presión máxima de ejercicio: PN 20.

### APLICACIONES GENERALES

- Agua, aire, vapor, aceites y diversos gases.

#### Observaciones:

Dada la complejidad, variedad y gran cantidad de especificaciones particulares de cada instalación, en conjunción con la existencia de diversos factores que pueden afectar a las condiciones de trabajo y naturaleza del producto, es responsabilidad del usuario final realizar los ensayos necesarios para garantizar el correcto funcionamiento del producto en cada aplicación concreta.

La instalación del producto deberá realizarse y mantenerse siguiendo códigos de buena práctica y/o estándares existentes.

### BASIC FEATURES

- Made of austenitic stainless steel AISI 316 with standard heat treatment.
- Production method: Fusion.
- Dimensions according to ISO 4144 standard.
- Threads according to EN 10226-1 / ISO 7-1 (type R-Rp).
- Working temperature range: -20 to 220 °C.
- Maximal working pressure: PN 20.

### GENERAL APPLICATIONS

- Water, air, steam, oil and gas.

#### Remarks:

Due to the complexity, variety and large number of particular specifications for each installation, along with the existence of diverse factors which can affect the working conditions and nature of the product, it is the responsibility of the end-user to carry out the necessary tests to ensure the proper functioning of the product in any specific application.

Product installation must be carried out and maintained following the good practice codes and/or updated technical standards.

Nota : Debido al constante desarrollo de nuestros productos, los datos suministrados pueden ser alterados sin previo aviso.

Note : Due to the continuous development of our products, specifications may be changed without notification at any time.

Rev.2-06.20  
2/2